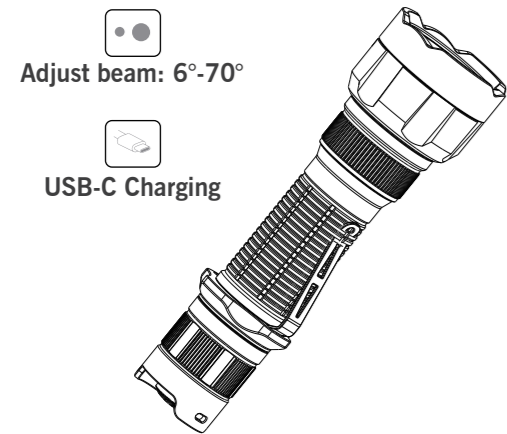




# ZT40



**Adjust beam: 6°-70°**

**USB-C Charging**

**Light Source:**  
 ■ White ■ Red ■ Green ■ IR ■ UV  
 Please read this manual carefully before use. It will help you better understand how to use our product.

## PRODUCT DESCRIPTION

Brinyte ZT40 is a variable-focus (6°~70°) flashlight, with USB-C direct charging. It offers various light sources options: white, red, green, IR850/940, UV. Suitable for hunting, military, and outdoor activities.

**Note: Each flashlight only contains one type of light source, and the light source cannot be replaced.**

## PRODUCT FEATURES

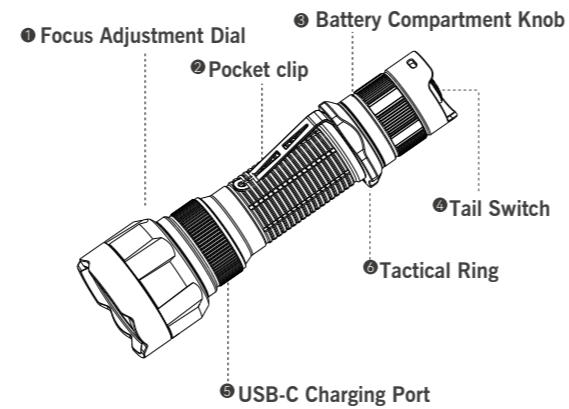
- ✓ Adjustable beam angle: 6°-70°
- ✓ Can be silently turned on without startling the prey
- ✓ Powered by one rechargeable 21700 lithium-ion battery
- ✓ USB-C Charging
- ✓ Multiple light sources options (white, red, green, IR850/IR940, UV)
- ✓ Body made of AL6061-T6 aluminum
- ✓ Type III hard anodized surface treatment, corrosion-resistant and durable
- ✓ Lenses made of double-sided coated scratch-resistant tempered glass

## IN THE BOX

- ZT40 Flashlight \* 1
- 21700 USB-C Rechargeable Battery \* 1
- USB-C Charging Cable \* 1
- Spare O-ring x 2
- User Manual \* 1
- Warranty Card \* 1

**Optional Accessory:**  
 Pressure Switch \* 1

## PRODUCT STRUCTURE



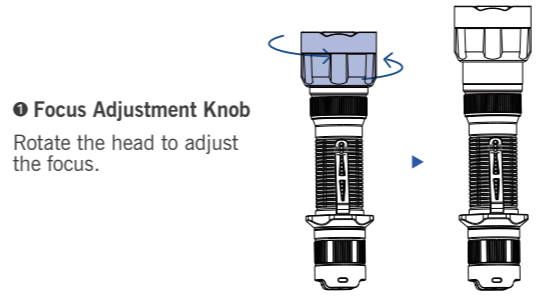
## TECHNICAL SPECIFICATIONS

\*Note: Each flashlight contains only one type of light source, and the light source cannot be replaced.

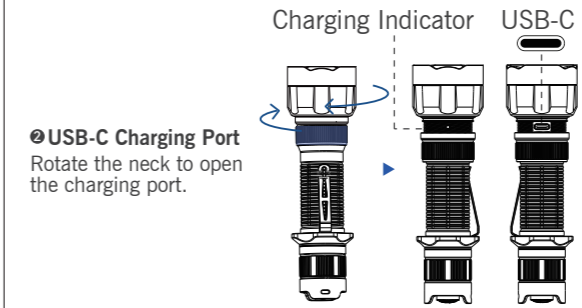
Light Source Mode Beam	White				Green				Red				IR(IR850/940)				UV			
	High		Low		High		Low		High		Low		High		Low		High		Low	
Output(LM)	1650	500	500	134	450	205	100	35	90	45	36	18	/	/	/	/	2	1	/	/
Beam Distance(M)	70	490	39	282	126	273	26	50	32	230	17	158	/	/	/	/	/	/	/	/
Max Intensity(CD)	1250	60000	375	20000	4000	18750	175	625	250	13250	75	6250	/	/	/	/	/	/	/	/
Runtime	1h50min		3h45min		3h40min		9h10min		4h10min		8h25min		3h20min		5h50min		6h30min		12h50min	
Impact Resistant	1m																			
Protection Level	IPX-8																			
Working voltage	2.8-4.2V																			
Dimension	Tube Dia.27mm (1.06") , Head Dia.44mm (1.73") Length 149.5mm (5.88")																			
Net Weight	147g (0.324lb) ((Excluding battery))																			
Accessories	21700 5000mAh Rechargeable Battery*1, USB-C Charging Cable*1, Lanyard*1, Spare O-ring * 2																			

Note: The above parameters are measured according to the international flashlight testing standard ANSI/NEMA FL1 using a Brinyte 21700 5000mAh battery in laboratory conditions. The test parameters are approximate values and may vary depending on the flashlight, battery, and usage environment.

## OPERATING INSTRUCTIONS

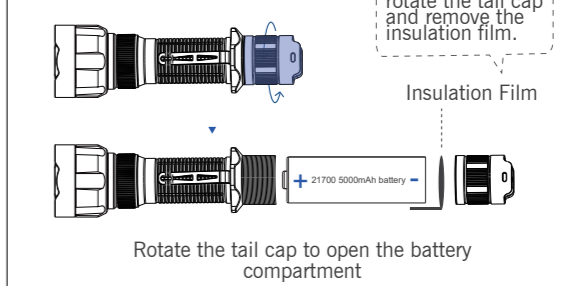


**Focus Adjustment Knob**  
 Rotate the head to adjust the focus.



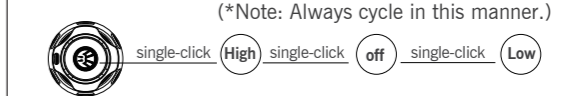
**USB-C Charging Port**  
 Rotate the neck to open the charging port.

## Battery Compartment Knob

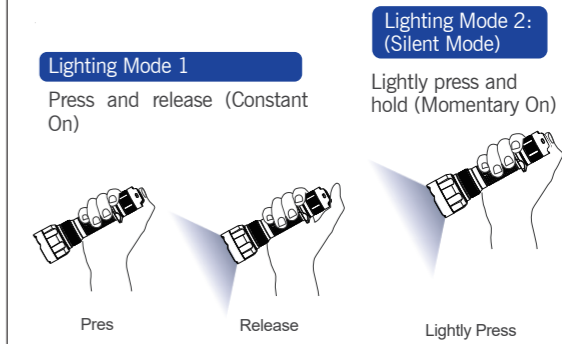


Rotate the tail cap to open the battery compartment

## Tail Switch



(\*Note: Always cycle in this manner.)



## BATTERY LEVEL INDICATION AND CHARGING

**Battery Power Indicator Light**  
 When turned on, the battery indicator light will display for 5 seconds.

- Green: > 70%
- Orange: 30% ~ 70%
- Red: < 30%
- Red Blinking: < 10%

## Charging the Battery

1. Insert a Brinyte 21700 rechargeable battery into the flashlight and tighten the tail cap.
2. Insert the USB-C charging cable into the USB-C charging port of your flashlight. While charging, the battery indicator light will be red; when fully charged, it will turn green.

## USE AND MAINTENANCE

If your Brinyte flashlight fails to turn on or flashes:  
**Reason A:** The battery needs to be replaced.  
 Solution: Replace the battery (ensure correct installation, paying attention to the polarity).  
**Reason B:** The threads, PCB board contacts, or other contact points are dirty.  
 Solution: Clean the contact points with a cotton swab soaked in alcohol. If the above methods are ineffective, please contact your local dealer and refer to Brinyte's warranty policy.  
 Brinyte Customer Service Email: [service@brinyte.com](mailto:service@brinyte.com)

## SAFETY WARNINGS AND DISCLAIMER

To ensure your safe use of this product, please carefully read and adhere to the following warnings and disclaimer.

### ⚠ WARNINGS

#### 1. Keep Out of Reach of Children

This flashlight should be stored out of reach of children. Children are strictly prohibited from using this flashlight to prevent accidents.

#### 2. Avoid Direct Eye Exposure

Do not shine the flashlight directly into the eyes. The intense light and laser may cause irreversible damage to the eyes. Maintain a safe distance when using the flashlight.

#### 3. Avoid Close Proximity to Flammable Objects

Do not use the flashlight in close proximity to flammable materials. The flashlight generates high temperatures during operation, which may cause objects to ignite, posing a safety hazard.

#### 4. Prohibit Unconventional Use

Do not use the flashlight in unconventional ways, such as holding it in your mouth. Malfunctions of the flashlight or its internal battery may result in personal injury or life-threatening situations.

## 5. Be Aware of Temperature

The flashlight generates significant heat during operation, and the surface may become very hot. Be cautious to avoid burns and do not touch the surface of the flashlight while in use.

## 6. Avoid Placement in Enclosed or Flammable Environments

When storing the flashlight in enclosed spaces such as pockets or backpacks, ensure it is turned off and the switch is locked, to prevent accidental activation. Avoid using the flashlight near flammable materials to prevent fire hazards.

## 7. Non-Replaceable Light Source

The light source of this flashlight is not replaceable. When the light source reaches the end of its lifespan, replace the entire flashlight. Do not attempt to replace the light source yourself to ensure safety.

### DISCLAIMER

The company shall not be held responsible for any loss, injury, or accident resulting from improper use, misuse, or failure to follow the above safety guidelines. Users must strictly adhere to these safety instructions to ensure their own safety and the safety of others. If you have any questions or are unsure about the proper use of the flashlight, please contact the manufacturer or a professional for advice.

## MAINTENANCE

1. 30-day free replacement: If your BRINYTE flashlight is defective in material and/or workmanship under normal use within 30 days from the date of purchase, we will replace or repair it with proof of purchase; If the model is discontinued, we will replace it with a similar updated model (all the shipping cost is afforded by seller);
2. 2-year free repairs: BRINYTE provides free warranty repair for 2 years (1 year warranty period for accessories) from the date of purchase with proof of purchase. Except for consumables, such as O-rings, lanyard, etc. (Buyer is in charge of the shipping cost for sending back to seller, seller is in charge of the shipping cost for returning);
3. Limited lifetime warranty: If repair is required beyond the warranty period, Brinyte will not charge fees for labor costs associated with the repair. The total repair fee is assessed according to the cost of the replaced materials (Buyer is responsible for all the shipping costs);
4. Please first contact your local merchant for warranty claims for prompt after-sales

service. BRINYTE will provide service support to the merchant. If you fail to get in touch with your local merchant, please leave a message on our official website ([www.brinyte.com](http://www.brinyte.com)).

### Note:

1. Except the products and accessories listed above, other products or free offers provided by brinyte are not covered within this warranty policy. This warranty does not cover consumables or normal wear-and-tear. It also does not apply to any products or parts which have been subject to modification, misuse, abuse, accident, improper maintenance, unauthorized repairs;
2. To make a warranty claim, please provide the proof of purchase; if it can't be offered, the warranty period will be calculated from the factory delivery time;
3. Brinyte Technology Co., Ltd. reserves the final right to interpret and modify this policy.

Dear Customer  
 Hello! Thank you for purchasing Brinyte products. Every bit of progress and success achieved by Brinyte is inseparable from your attention, trust, support, and participation. Your trust is the powerful driving force behind our progress, and your support is the inexhaustible source of our growth. Every time you participate, every suggestion you make, excites us and drives us to keep moving forward. With you, we have endless confidence and strength on our journey of progress; with you, we have continuous inspiration to develop more new products that you will love. We welcome you to share your authentic experiences with Brinyte products so that others can benefit from your experiences. Please register your product on our official website ([www.Brinyte.com](http://www.Brinyte.com)) or inform us of the relevant information of the product you purchased via email. We will extend the warranty period of the product you purchased by 3 years to express our gratitude to you.

Warmest regards  
 Brinyte

**Shenzhen Brinyte Technology Co., Ltd.**  
 Phone: +86-755-36850212  
 Fax: +86-755-29454989  
 Website: [www.brinyte.com](http://www.brinyte.com)  
 Address: 4th Floor, Building 6, Tangwei Huafeng Technology Park, No. 535 Fengtang Avenue, Fuyong Town, Bao'an District, Shenzhen, China  
 Postal Code: 518126



Scan QR Code to  
 Enter Official Website